



KRAIS 70 Series Clamshell Drives

QUALITY, INTERCHANGEABLE MOTORS



K70 Series Clamshell Drives

The KRAIS 70 series pneumatic drive motors are the perfect option for all your clamshell needs. They have undergone more than 20 years of rigorous field testing that guarantee's quality and maximum tool life.

The KRAIS 70 series motors and associated spare parts have been designed to be compatible with Cleco 75 series Nutrunners. This allows convenient parts interchangeability of existing motors as used by E.H.Wachs, D.L.Ricci / Hydratight, H&S and other popular clamshell manufacturers.

Both right angle and Inline versions are available.

*Cleco® is a registered trademark of Apex Brands, Inc.
DL Ricci® and Hydratight® are a registered trademark of Enerpac
E.H. Wachs® is a registered trademark of ITW, Inc.
H&S® is a registered trademark of Climax*



FLEXIBLE CONFIG

KRAIS 70 Series Drives are available in both right angle and inline configurations. Electric and Hydraulic options are also available. Please consult factory.

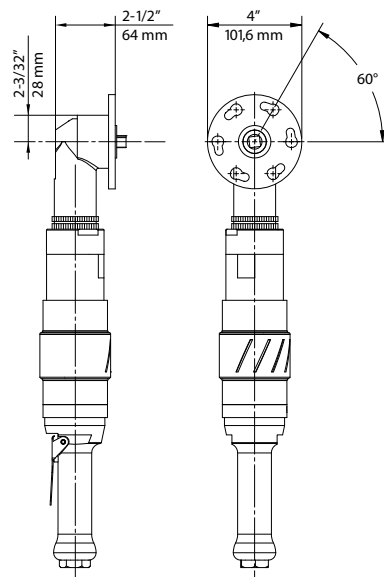
MODEL NUMBER	REVERSIBLE	SQUARE DRIVE	TORQUE		FREE SPEED	LENGTH		WEIGHT		HEAD HEIGHT		ANGLE HEAD SIZE
			FT.LBS.	NM	RPM	IN	MM	LBS	KG	IN	MM	
RIGHT ANGLE VERSION												
K75-RL-3V-375	Yes	1/2"	82	111	375	19,35	491	12,7	5,8	2,5	64	V
K75-RL-3V-280	Yes	1/2"	104	141	280	19,35	491	12,7	5,8	2,5	64	V
K75-RL-3V-190	Yes	1/2"	140	190	190	19,35	491	12,7	5,8	2,5	64	V
K75-RL-3V-152	Yes	1/2"	180	244	152	19,35	491	12,7	5,8	2,5	64	V
K75-RL-3V-100	Yes	1/2"	283	384	101	20,10	511	16,5	6,4	2,5	64	V
K75-RL-3V-50	Yes	1/2"	544	738	50	20,10	511	16,5	6,4	2,5	64	V
K75-NL-3V-190	No	1/2"	165	225	190	19,35	491	12,7	5,8	2,5	64	V
IN LINE VERSION												
L75-RL-488	Yes	1/2"	63	86	488	11,00	279	8,8	4,0	2,5	64	-
L75-RL-364	Yes	1/2"	80	108	364	11,00	279	8,8	4,0	2,5	64	-
L75-RL-247	Yes	1/2"	108	146	247	11,00	279	8,8	4,0	2,5	64	-
L75-RL-198	Yes	1/2"	138	188	198	11,00	279	8,8	4,0	2,5	64	-
L75-RL-131	Yes	1/2"	218	295	131	13,40	340	10,0	4,6	2,5	64	-
L75-RL-65	Yes	1/2"	418	567	65	13,40	340	10,0	4,6	2,5	64	-
L75-NL-247	No	1/2"	127	225	247	11,00	279	8,8	4,0	2,5	64	-

Where: R - reversible | N - non reversible | L - lever valve | V - angle head | xxx - free speed
Air use: air inlet NPT: 1/2"; minimal hose ID: 1/2", 70 scfm

MOUNTING FLANGE



Our mounting flange is manufactured to align with popular E.H.Wachs or D.L.Ricci/Hydratight machines. Custom mounting flanges can be manufactured upon request.



KRAIS Tube&Pipe Tools

Poland, 55-106 Zawonia, Czachowo 15
tel. +48 71 312 05 96, fax +48 71 387 03 32
mail: export@krais.com
www.krais.com

facebook.com/KraisTubeExpanders/

linkedin.com/company/krais/